

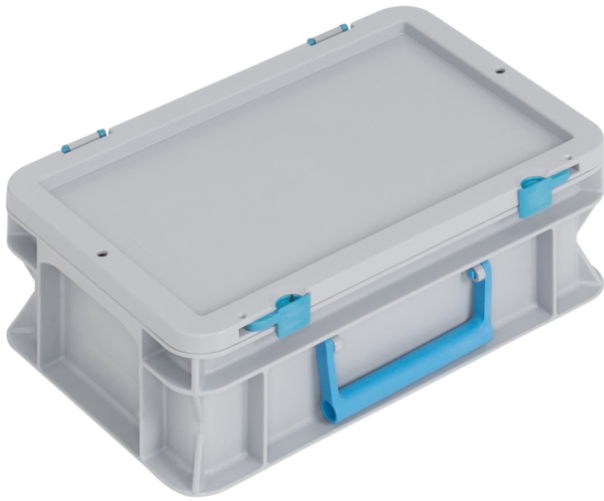
## Factsheet

# LOGILINE LL

SGL-standard case LL

Product number  
**3208.397.950**

Product name  
**Case LL**



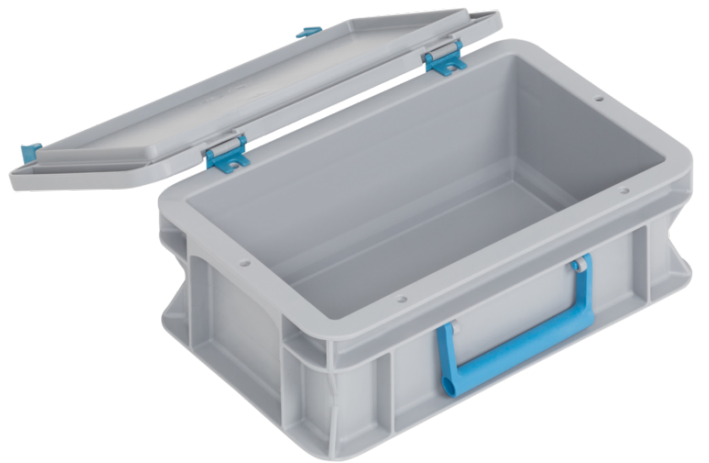
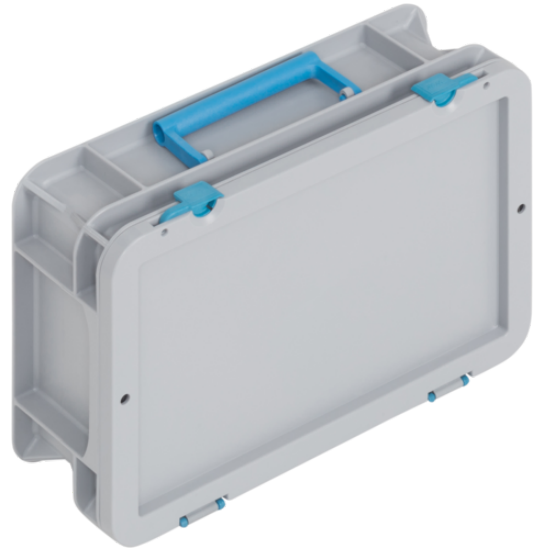
Ext. dimensions: 300x200x110 mm  
 Ext. dimensions: 30x20x11 cm  
 Int. dimensions: 260x160x95 mm  
 Useable height: 95 mm  
 1 carrying grip on the long side

Load capacity: 15 kg  
 Volume: 4.0 l  
 Weight (g): 652 g  
 Weight (kg): 0.65 kg

Closed walls  
 Shell grips  
 Material: PP  
 Color: grey RAL 7001

No. per pallet: 240 pcs





## Factsheet

# LOGILINE LL

SGL-standard case LL

Product number  
**4304.397.950**

Product name  
**Case LL**



Ext. dimensions: 400x300x63 mm

Ext. dimensions: 40x30x6.3 cm

Int. dimensions: 354x254x48 mm

Useable height: 48 mm

1 carrying grip on the long side

Load capacity: 15 kg

Volume: 5.2 l

Weight (g): 868 g

Weight (kg): 0.87 kg

Closed walls

Handle strips

Material: PP

Color: grey RAL 7001

No. per pallet: 208 pcs







## Factsheet

# LOGILINE LL

SGL-standard case LL

Product number  
**4308.397.950**

Product name  
**Case LL**



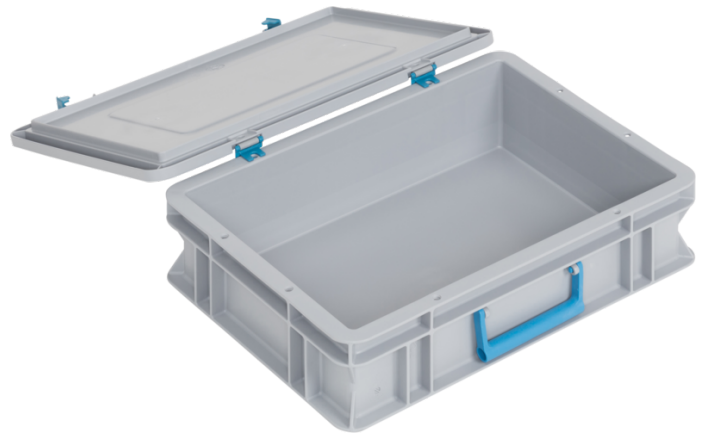
Ext. dimensions: 400x300x110 mm  
 Ext. dimensions: 40x30x11 cm  
 Int. dimensions: 354x254x95 mm  
 Useable height: 95 mm  
 1 carrying grip on the long side

Load capacity: 15 kg  
 Volume: 8.5 l  
 Weight (g): 1171 g  
 Weight (kg): 1.17 kg

Closed walls  
 Handle strips  
 Material: PP  
 Color: grey RAL 7001

No. per pallet: 120 pcs





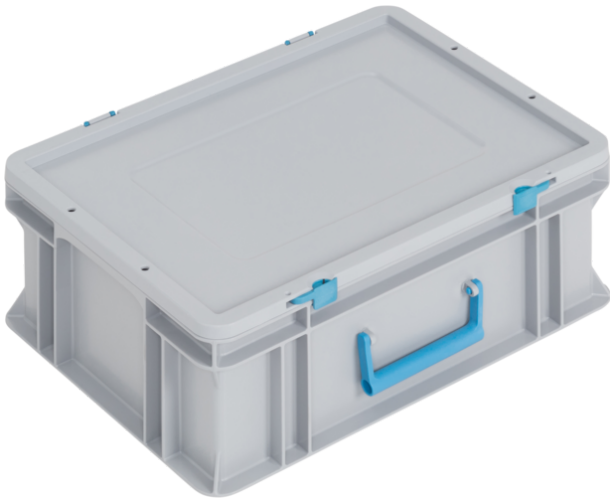
## Factsheet

# LOGILINE LL

SGL-standard case LL

Product number  
**4313.397.950**

Product name  
**Case LL**



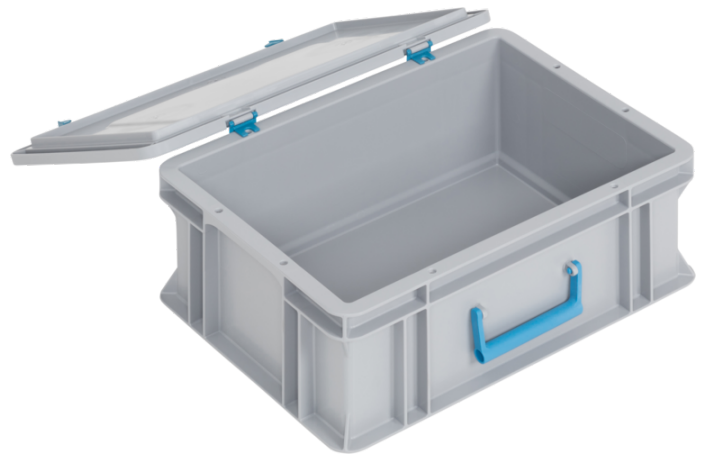
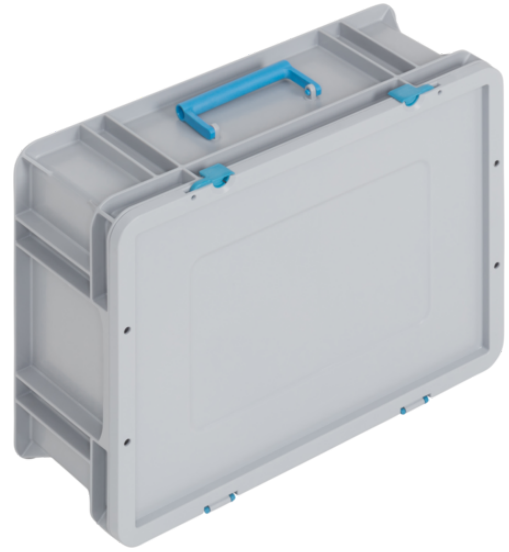
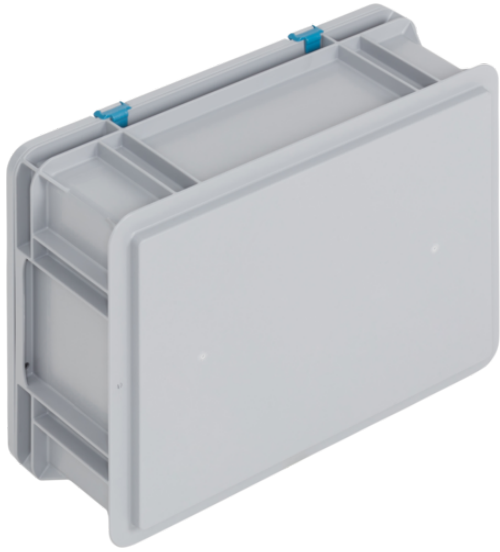
Ext. dimensions: 400x300x154 mm  
 Ext. dimensions: 40x30x15.4 cm  
 Int. dimensions: 354x254x139 mm  
 Useable height: 139 mm  
 1 carrying grip on the long side

Load capacity: 15 kg  
 Volume: 12.5 l  
 Weight (g): 1322 g  
 Weight (kg): 1.32 kg

Closed walls  
 Shell grips  
 Material: PP  
 Color: grey RAL 7001

No. per pallet: 80 pcs





## Factsheet

# LOGILINE LL

SGL-standard case LL

Product number  
**4320.397.950**

Product name  
**Case LL**



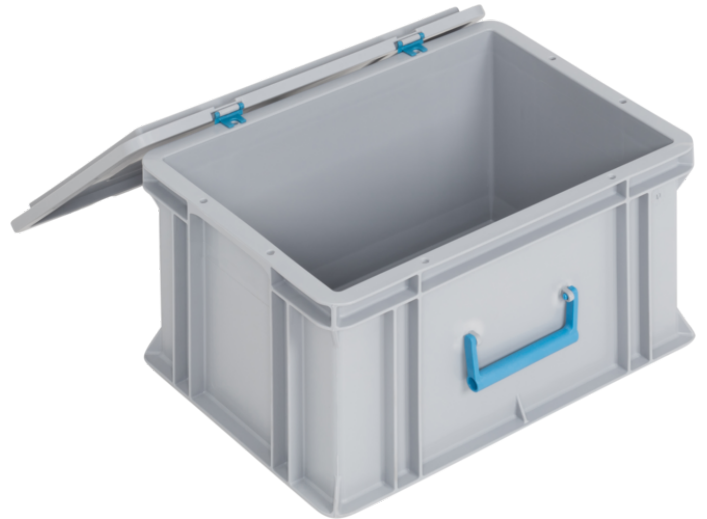
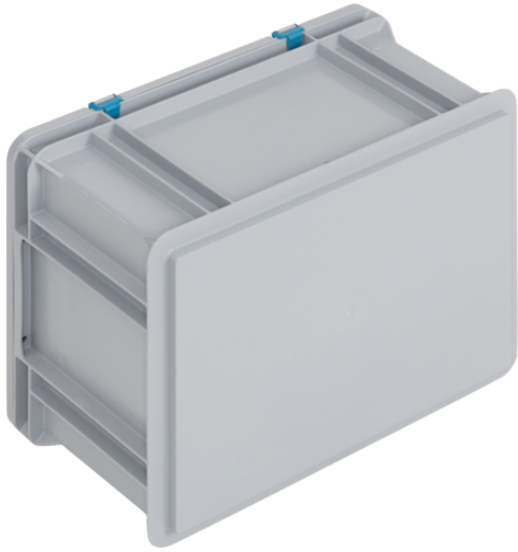
Ext. dimensions: 400x300x221 mm  
 Ext. dimensions: 40x30x22.1 cm  
 Int. dimensions: 354x254x206 mm  
 Useable height: 206 mm  
 1 carrying grip on the long side

Load capacity: 15 kg  
 Volume: 18.5 l  
 Weight (g): 1692 g  
 Weight (kg): 1.69 kg

Closed walls  
 Shell grips  
 Material: PP  
 Color: grey RAL 7001

No. per pallet: 56 pcs





## Factsheet

# LOGILINE LL

SGL-standard case LL

Product number  
**4326.397.950**

Product name  
**Case LL**



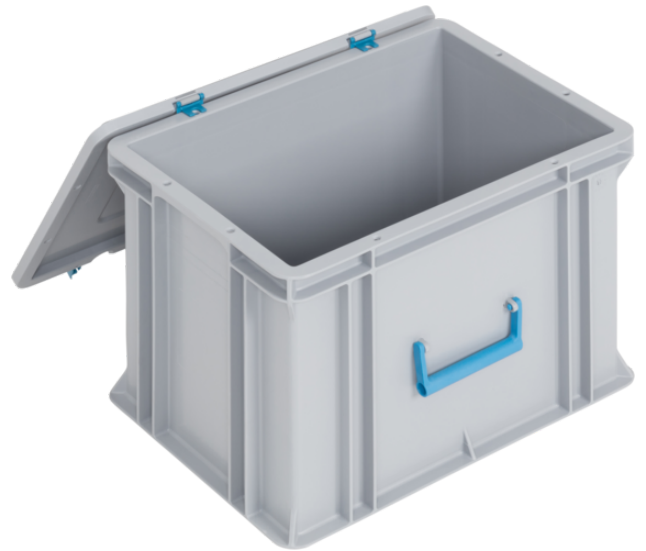
Ext. dimensions: 400x300x287 mm  
 Ext. dimensions: 40x30x28.7 cm  
 Int. dimensions: 354x254x272 mm  
 Useable height: 272 mm  
 1 carrying grip on the long side

Load capacity: 15 kg  
 Volume: 24.5 l  
 Weight (g): 2061 g  
 Weight (kg): 2.06 kg

Closed walls  
 Shell grips  
 Material: PP  
 Color: grey RAL 7001

No. per pallet: 40 pcs







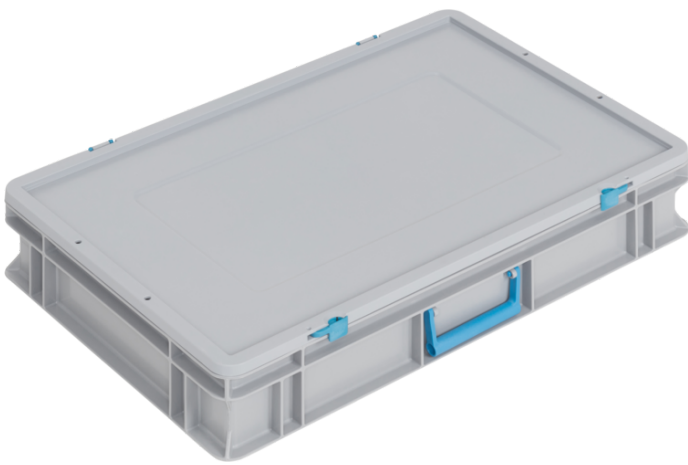
## Factsheet

# LOGILINE LL

SGL-standard case LL

Product number  
**6408.397.950**

Product name  
**Case LL**



Ext. dimensions: 600x400x111 mm  
 Ext. dimensions: 60x40x11.1 cm  
 Int. dimensions: 554x354x95 mm  
 Useable height: 95 mm  
 1 carrying grip on the long side

Load capacity: 15 kg  
 Volume: 18.6 l  
 Weight (g): 2125 g  
 Weight (kg): 2.13 kg

Closed walls  
 Handle strips  
 Material: PP  
 Color: grey RAL 7001

No. per pallet: 60 pcs





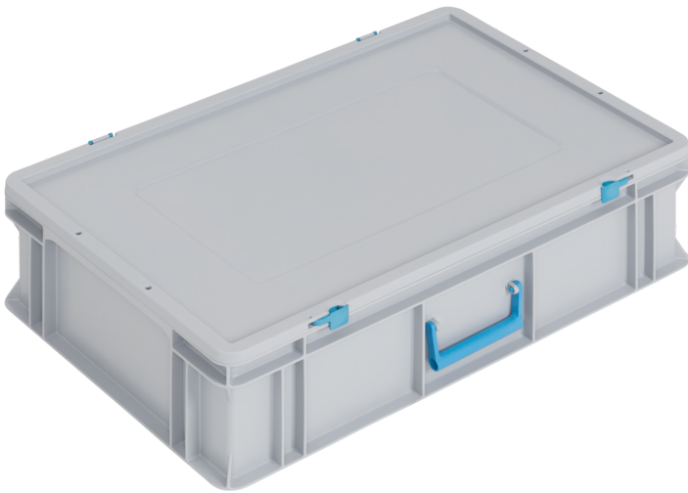
## Factsheet

# LOGILINE LL

SGL-standard case LL

Product number  
**6413.397.950**

Product name  
**Case LL**



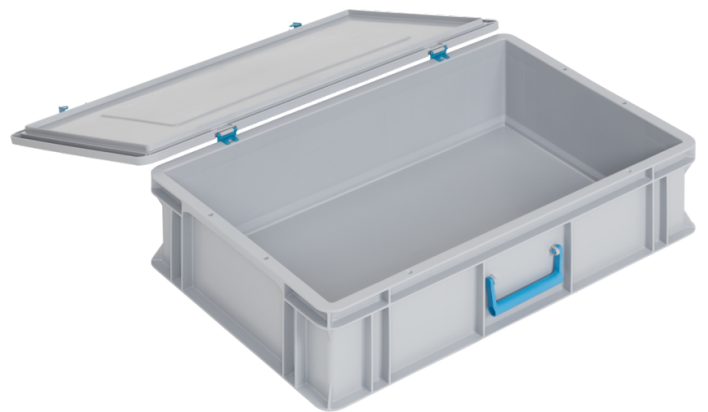
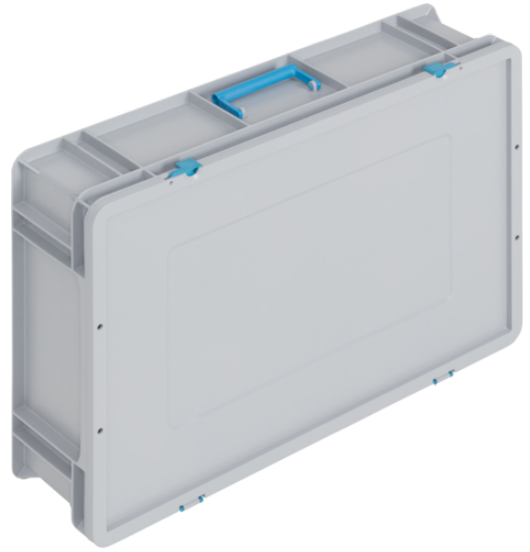
Ext. dimensions: 600x400x155 mm  
 Ext. dimensions: 60x40x15.5 cm  
 Int. dimensions: 554x354x139 mm  
 Useable height: 139 mm  
 1 carrying grip on the long side

Load capacity: 15 kg  
 Volume: 27.3 l  
 Weight (g): 2388 g  
 Weight (kg): 2.39 kg

Closed walls  
 Shell grips  
 Material: PP  
 Color: grey RAL 7001

No. per pallet: 40 pcs





## Factsheet

# LOGILINE LL

SGL-standard case LL

Product number  
**6420.397.950**

Product name  
**Case LL**



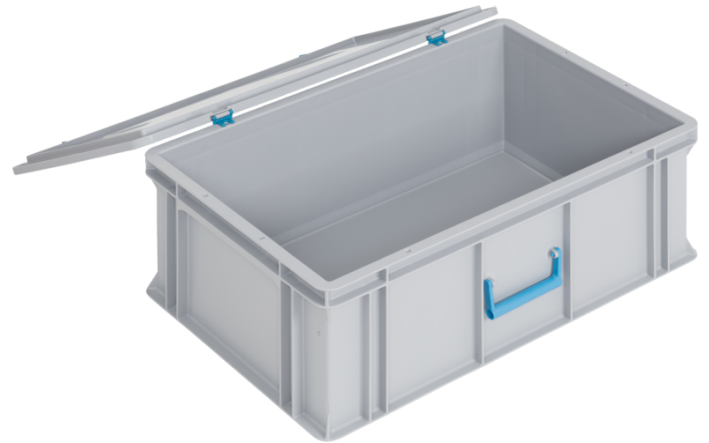
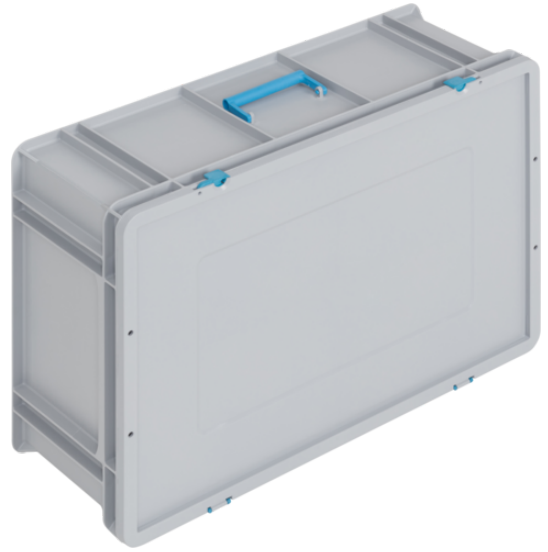
Ext. dimensions: 600x400x221 mm  
Ext. dimensions: 60x40x22.1 cm  
Int. dimensions: 554x354x206 mm  
Useable height: 206 mm  
1 carrying grip on the long side

Load capacity: 15 kg  
Volume: 40.4 l  
Weight (g): 2805 g  
Weight (kg): 2.81 kg

Closed walls  
Shell grips  
Material: PP  
Color: grey RAL 7001

No. per pallet: 28 pcs





## Factsheet

# LOGILINE LL

SGL-standard case LL

Product number  
**6426.397.950**

Product name  
**Case LL**



Ext. dimensions: 600x400x288 mm  
 Ext. dimensions: 60x40x28.8 cm  
 Int. dimensions: 554x354x272 mm  
 Useable height: 272 mm  
 1 carrying grip on the long side

Load capacity: 15 kg  
 Volume: 53.3 l  
 Weight (g): 3314 g  
 Weight (kg): 3.31 kg

Closed walls  
 Shell grips  
 Material: PP  
 Color: grey RAL 7001

No. per pallet: 20 pcs



