

Factsheet

VARIOBOX VB

Bins for small parts

Product number
1308.110.971

Product name
Insert box VB H110



Ext. dimensions: 137x87x110 mm
Ext. dimensions: 13.7x8.7x11 cm
Int. dimensions: 132x82x105 mm
division 1/16
for container 600x400 mm

Useable height: 105 mm
Volume: 1.1 l
Weight (g): 119 g

Weight (kg): 0.12 kg
Material: PP
Color: grey RAL 7001

No. per pack: 96 pcs
No. per pallet: 768 pcs
1/16: 600x400mm





Factsheet

VARIOBOX VB

Bins for small parts

Product number
1608.070.971

Product name
Insert box VB H70



Ext. dimensions: 160x87x70 mm
Ext. dimensions: 16x8.7x7 cm
Int. dimensions: 132x60x67 mm
division 1/3 stackable
for container 300x200 mm

Useable height: 70 mm
Volume: 0.5 l
Weight (g): 80 g

Weight (kg): 0.08 kg
Material: PP
Color: grey RAL 7001

No. per pack: 60 pcs
No. per pallet: 2400 pcs
1/3: 300x200mm





Factsheet

VARIOBOX VB

Bins for small parts

Product number
1713.110.971

Product name
Insert box VB H110



Ext. dimensions: 137x174x110 mm
Ext. dimensions: 13.7x17.4x11 cm
Int. dimensions: 131x168x105 mm
division 1/8
for container 600x400 mm

Useable height: 105 mm
Volume: 2.3 l
Weight (g): 200 g

Weight (kg): 0.20 kg
Material: PP
Color: grey RAL 7001

No. per pack: 48 pcs
No. per pallet: 384 pcs
1/8: 600x400mm





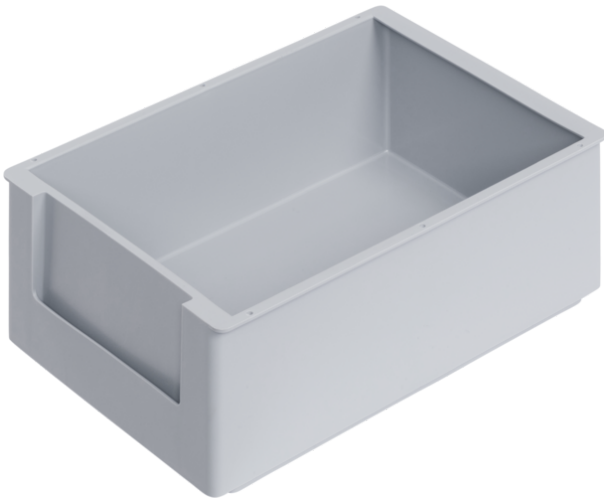
Factsheet

VARIOBOX VB

Bins for small parts

Product number
2517.095.971

Product name
Insert box VB H95



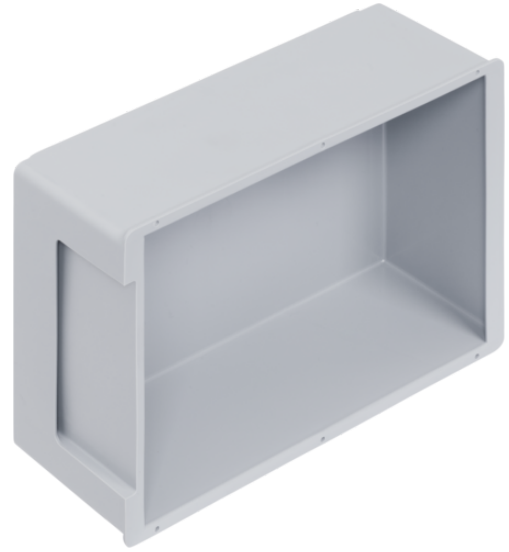
Ext. dimensions: 250x175x95 mm
Ext. dimensions: 25x17.5x9.5 cm
Int. dimensions: 242x158x88 mm
division 1/2
for container 400x300 mm

Useable height: 95 mm
Volume: 3.3 l
Weight (g): 262 g

Weight (kg): 0.26 kg
Material: PP
Color: grey RAL 7001

No. per pack: 16 pcs
No. per pallet: 256 pcs
1/2: 400x300mm





Factsheet

VARIOBOX VB

Bins for small parts

Product number
2612.070.971

Product name
Insert box VB H70



Ext. dimensions: 260x120x70 mm

Ext. dimensions: 26x12x7 cm

Int. dimensions: 232x93x67 mm

division 1/3 stackable

for container 400x300 mm

Useable height: 70 mm

Volume: 1.4 l

Weight (g): 140 g

Weight (kg): 0.14 kg

Material: PP

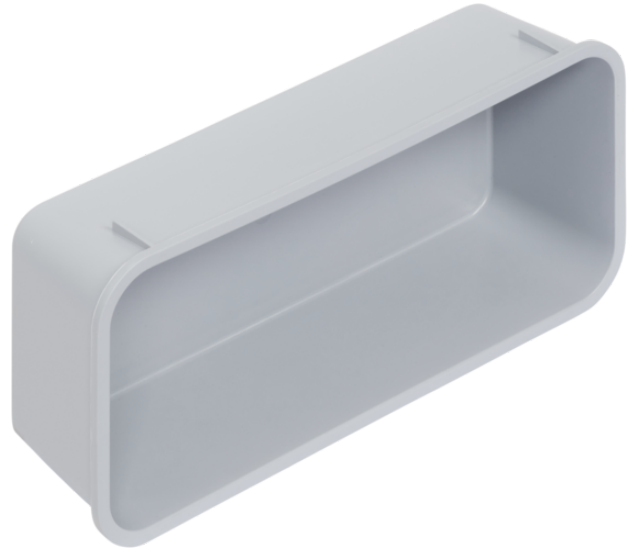
Color: grey RAL 7001

No. per pack: 30 pcs

No. per pallet: 1200 pcs

1/3: 400x300mm





Factsheet

VARIOBOX VB

Bins for small parts

Product number
2717.110.971

Product name
Insert box VB H110



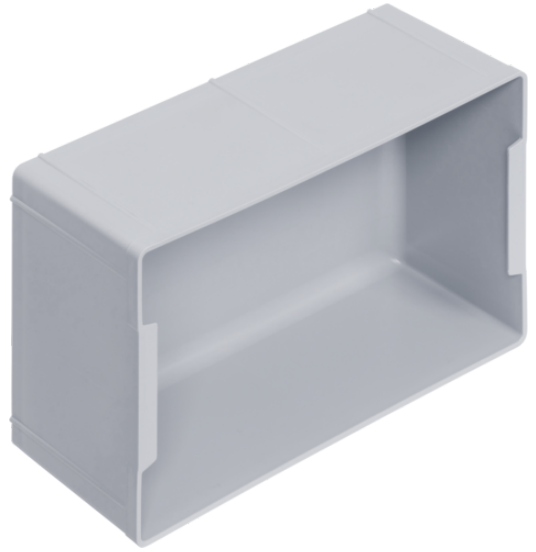
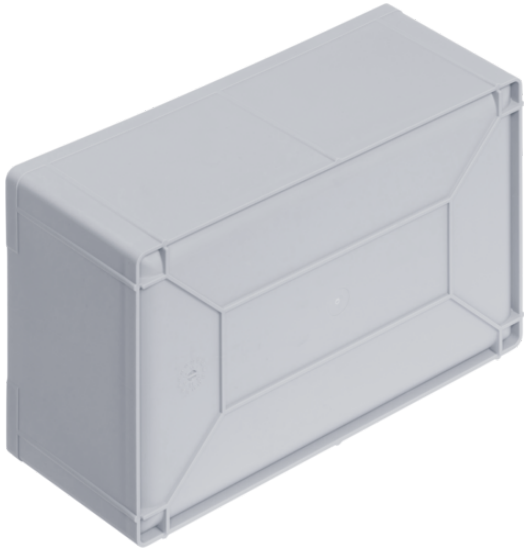
Ext. dimensions: 274x174x110 mm
Ext. dimensions: 27.4x17.4x11 cm
Int. dimensions: 268x168x105 mm
division 1/4
for container 600x400 mm

Useable height: 105 mm
Volume: 4.7 l
Weight (g): 328 g

Weight (kg): 0.33 kg
Material: PP
Color: grey RAL 7001

No. per pack: 24 pcs
No. per pallet: 192 pcs
1/4: 600x400mm





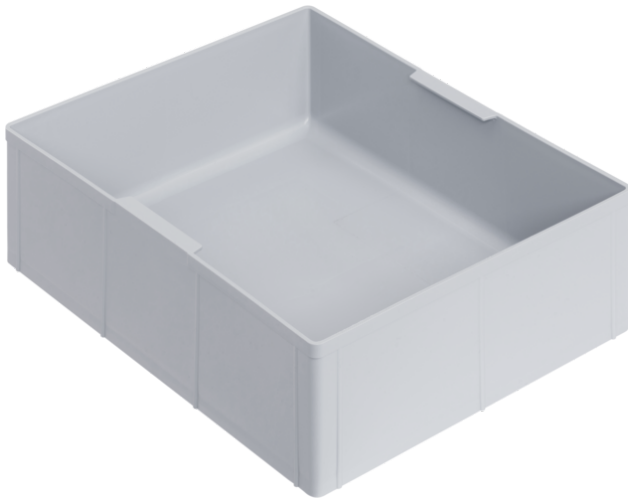
Factsheet

VARIOBOX VB

Bins for small parts

Product number
3527.110.971

Product name
Insert box VB H110



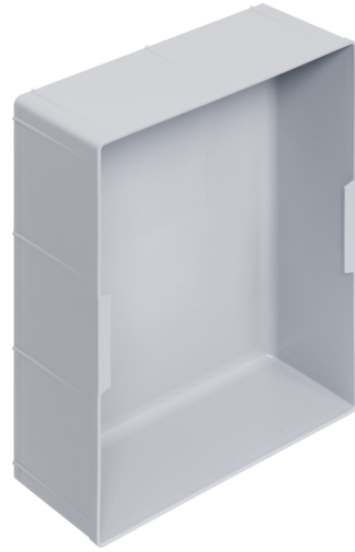
Ext. dimensions: 274x350x110 mm
Ext. dimensions: 27.4x35x11 cm
Int. dimensions: 268x344x105 mm
division 1/2
for container 600x400 mm

Useable height: 105 mm
Volume: 9.7 l
Weight (g): 567 g

Weight (kg): 0.57 kg
Material: PP
Color: grey RAL 7001

No. per pack: 12 pcs
No. per pallet: 96 pcs
1/2: 600x400mm





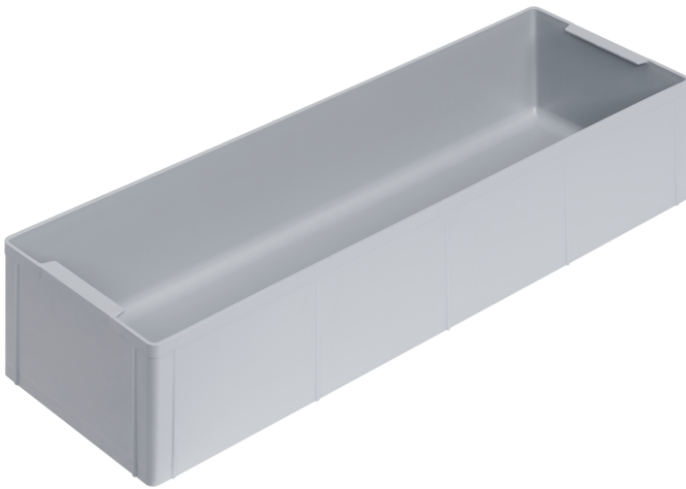
Factsheet

VARIOBOX VB

Bins for small parts

Product number
5517.110.371

Product name
Insert box VB H110



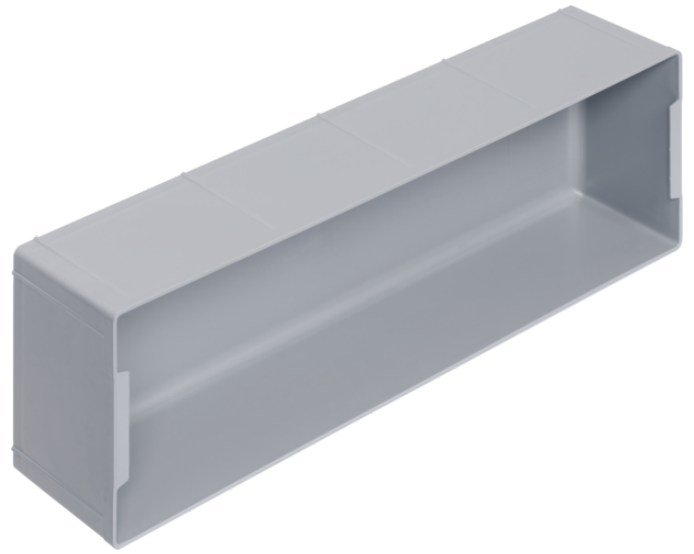
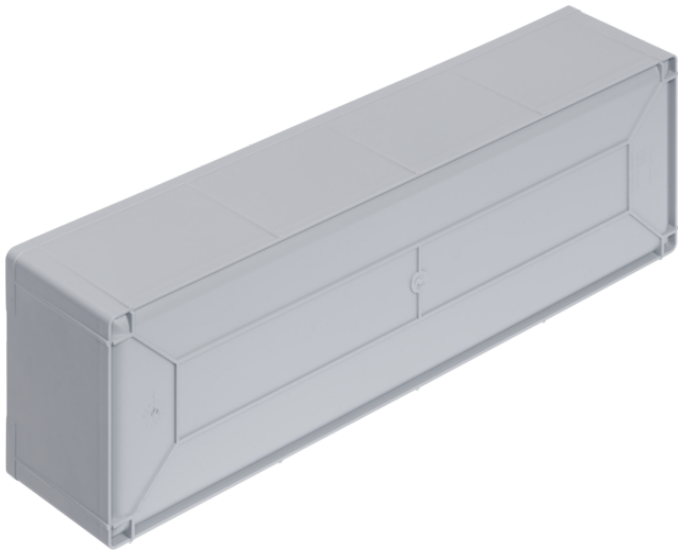
Ext. dimensions: 550x174x110 mm
Ext. dimensions: 55x17.4x11 cm
Int. dimensions: 544x168x105 mm
division 1/2L
for container 600x400 mm

Useable height: 105 mm
Volume: 9.6 l
Weight (g): 737 g

Weight (kg): 0.74 kg
Material: PS
Color: grey RAL 7001

No. per pack: 14 pcs
No. per pallet: 112 pcs
1/2L: 600x400mm





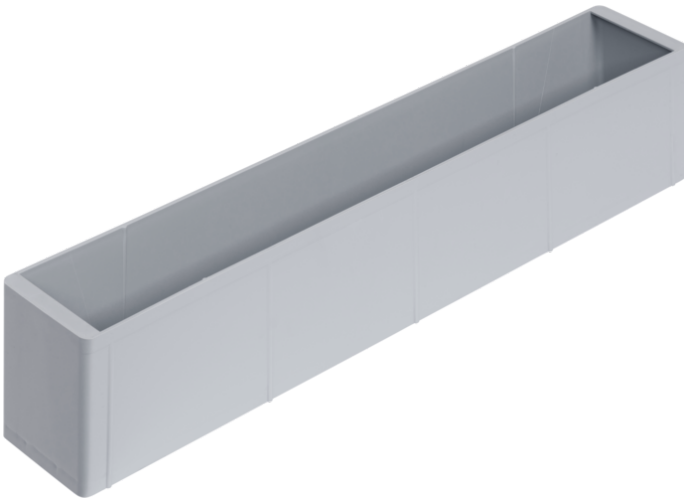
Factsheet

VARIOBOX VB

Bins for small parts

Product number
5508.110.371

Product name
Insert box VB H110



Ext. dimensions: 550x87x110 mm
Ext. dimensions: 55x8.7x11 cm
Int. dimensions: 544x81x105 mm
division 1/4L
for container 600x400 mm

Useable height: 105 mm
Volume: 4.6 l
Weight (g): 481 g

Weight (kg): 0.48 kg
Material: PS
Color: grey RAL 7001

No. per pack: 24 pcs
No. per pallet: 192 pcs
1/4L: 600x400mm



