



Model No. X075ML

Large digital combination safe



**Best Used For:**



A4 Paper Documents



Cheque Books



Laptop Computers



Passports



Small Electronics

## Overview & Features

### Product Features

- Solid steel construction
- 2 steel live-locking bolts and concealed hinge for more protection against attacks and prying attempts
- Resettable digital combination with override key – includes 2 keys
- Carpeted floor
- Bolt down hardware included

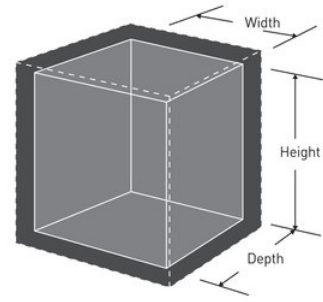
### Product Details

The Master Lock No. X075ML Large Digital Combination Safe is ideal for protecting precious valuables and electronics. The programmable electronic lock allows you to chose your combination while the override key makes sure you can always access to your safe, even in the case of forgotten combination. The carpeted floor keeps the content protected from scratching during storage.

---

# Product Specifications

<b>Product Number</b>	X075ML
<b>Exterior dimensions (H x W x D)</b>	18cm x 43cm x 37cm
<b>Interior dimensions (H x W x D)</b>	17,6cm x 42,6cm x 29,4cm
<b>Interior Volume</b>	22,03L
<b>Weight W/o Packaging</b>	7,8kg
<b>Colour</b>	Black/Grey
<b>Batteries</b>	Requires 4 AA batteries (not included)
<b>Description</b>	Retail Boxed Packaging
<b>Master Carton Qty</b>	1



---

## Master Lock Europe S.A.S.

10 avenue de l'arche - Le Colisée Gardens, bâtiment A - 92 400 Courbevoie - La Défense - France  
O:+33-1-41437200 | F:+33-1-41437204  
[www.masterlock.eu](http://www.masterlock.eu)